



PLAYERUNKNOWN'S

BATTLEGROUNDS

PUBG buggy
MAINTENANCE MANUAL

SAFETY PRECAUTIONS 安全注意事項

Please read all the instructions and familiarize yourself with the product and its controls before operation.

1. This product is not a toy. It is a high performance model car therefore it is important to familiarize yourself with the model, its manual, and its construction before assembly or operation. Adult supervision is necessary for children operating this model.
2. Always keep this instruction manual on hand during assembly and for operating reference.
3. Do not use a power screwdriver to install screws into plastic parts. A power screwdriver's high rotation speed can heat up the screw being installed which can result in some melting of the plastic parts or stripped threads.
4. For best performance, it is important to make sure all the moving parts can move freely without binding.
5. This product, its parts, and its assembly tools can be harmful to your health. Always exercise extreme caution when assembling and operating this product. Keep away from any high speed rotating parts during operation.

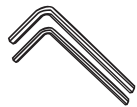
在您開始操作本產品之前，請詳閱本產品說明書。

1. 本產品為高性能模型產品非一般玩具，組裝與操作過程皆需由成人陪同。
請詳讀此本使用說明書，避免因組裝錯誤與操作不當造成損壞。
2. 請妥善保管此說明書，對於後續維修、操控說明將可提供您協助。
3. 請勿使用電動工具旋緊自攻螺絲於塑膠零件上，可能導致塑膠零件融化或滑牙。
4. 請檢視所有活動部位零件是否不受干涉、可靈活作動，以達車輛最佳性能。
5. 此項商品具有相當之危險性，於組裝、操控上的不熟悉都可能造成自身或他人的傷害。

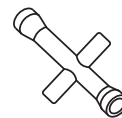
INDEX 索引

STEP 1	FRONT SUSPENSION 前擺臂	P3	WHEEL AND TIRE PREPARATION 輪框與輪胎拆卸	P10
STEP 2	DIFFERENTIAL GEAR SET 差速齒輪組	P3	BATTERY CHARGING 電池充電指南	P10
STEP 3	GEAR BOX SET 齒輪箱組	P4	TRANSMITTER 2.4GHz SYSTEM 2.4GHz 遙控器說明	P11
STEP 4	REAR SUSPENSION 後擺臂	P5	BATTERY INSTALLATION 電池安裝	P12
STEP 5	DRIVER INTERIOR DETAIL 駕駛內裝組	P5	RADIO OPERATION 遙控器操作	P12
STEP 6	CHASSIS ASSEMBLY 底盤組裝	P6	OPERATING RADIO STEERING FUNCTION 遙控器轉向設定	P13
STEP 7	ROLL CAGE ASSEMBLY 防滾籠組裝	P7	DRIVING BASIC 操控基本動作	P13
STEP 8	SHOCK ASSEMBLY 避震器組	P7	PARTS LIST 零件表	P14, P15
STEP 9	BODY ASSEMBLY 車殼組裝	P8		
STEP 10	TIRES AND WHEELS 輪胎與輪框組	P9		

TOOLS REQUIRED FOR ASSEMBLY 組裝維修工具



Hex Driver Tool Set (1.5/2.0)
六角板手組



Xwrench
十字套筒

SYMBOL REFERENCE KEY 說明書符號說明



Build right and left assembly
組裝左和右配件



Build front and rear assembly
組裝前和後配件



Assemble the parts two times
組裝相同配件兩次



Assemble the parts four times
組裝相同配件四次



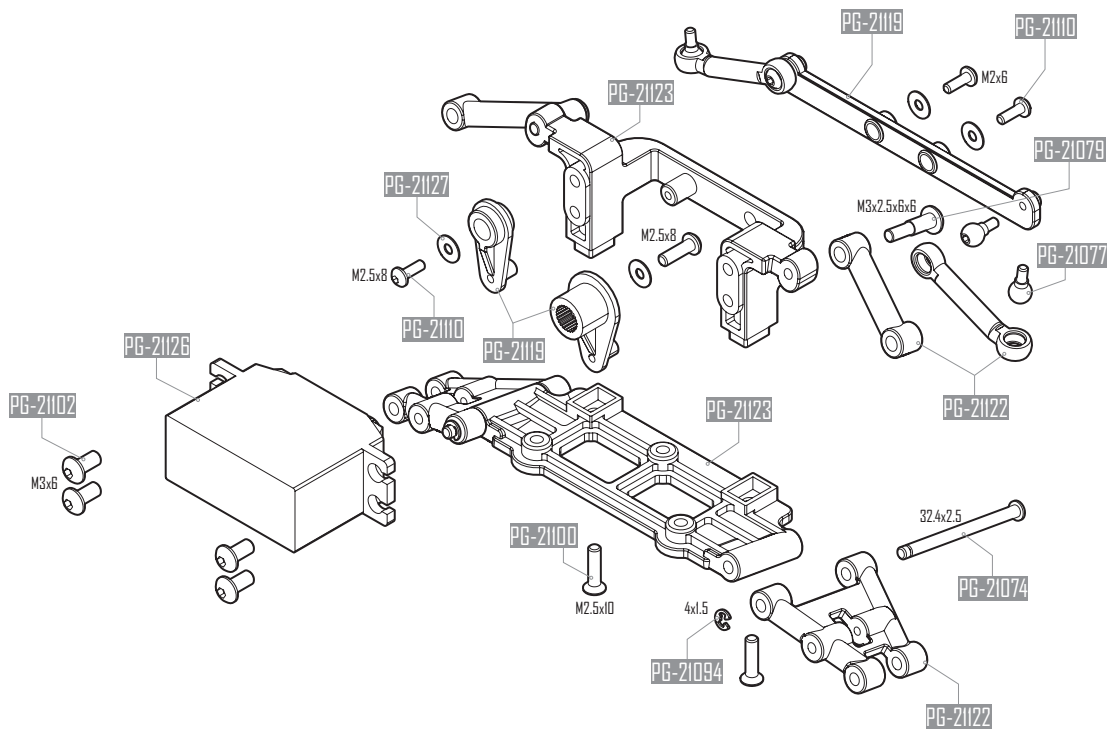
TT Media Technology, Inc.

1F., NO.540, SEC. 1, MINSHENG N. RD.,
GUISHAN DIST., TAOYUAN CITY 333, TAIWAN



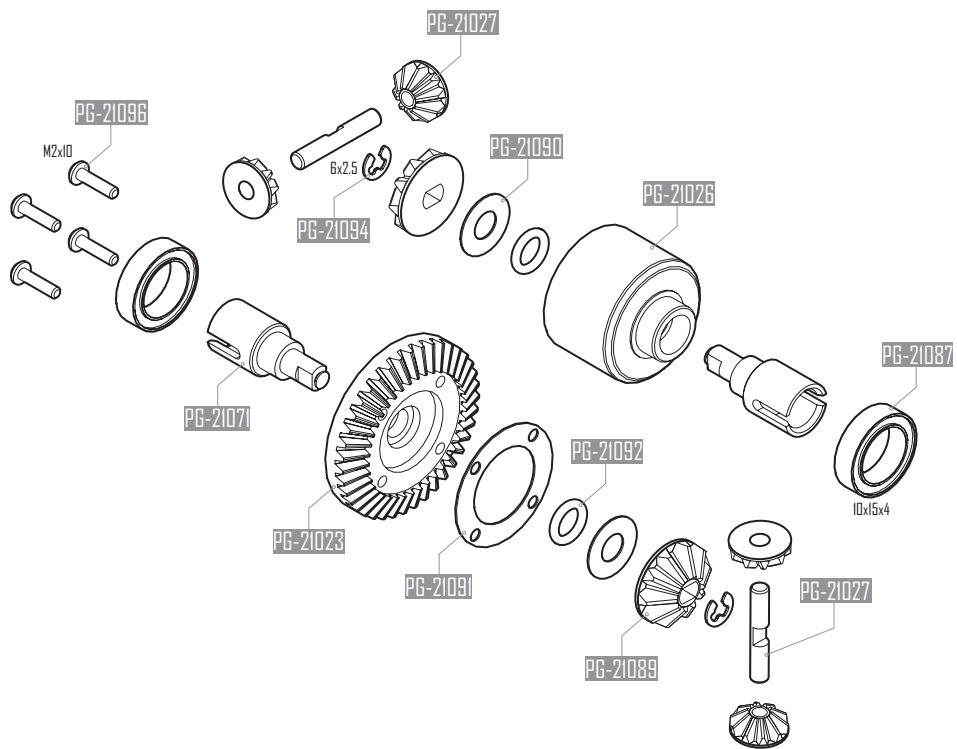
STEP 1

FRONT SUSPENSION 前擺臂



STEP 2

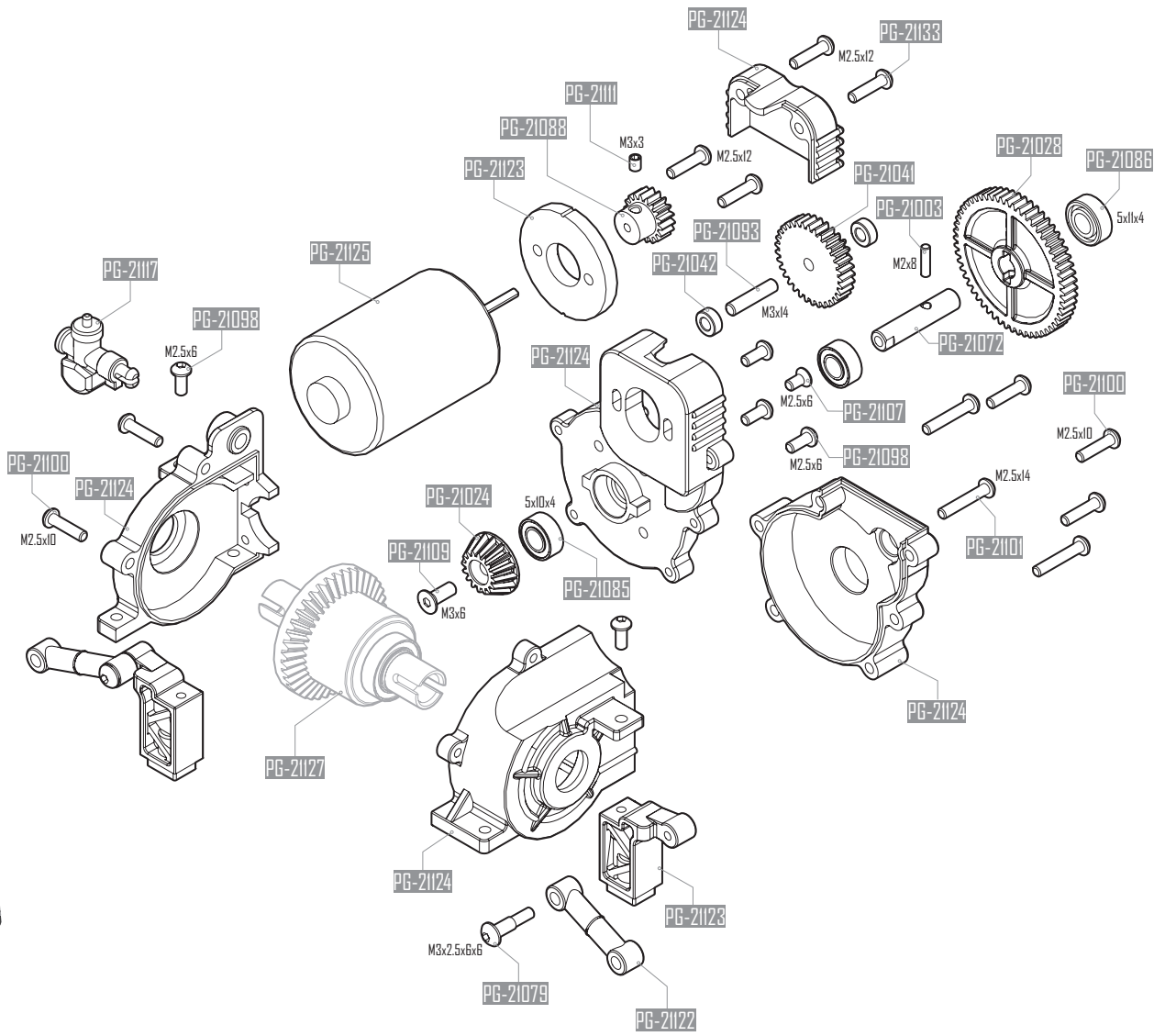
DIFFERENTIAL GEAR SET 差速齒輪組





STEP 3

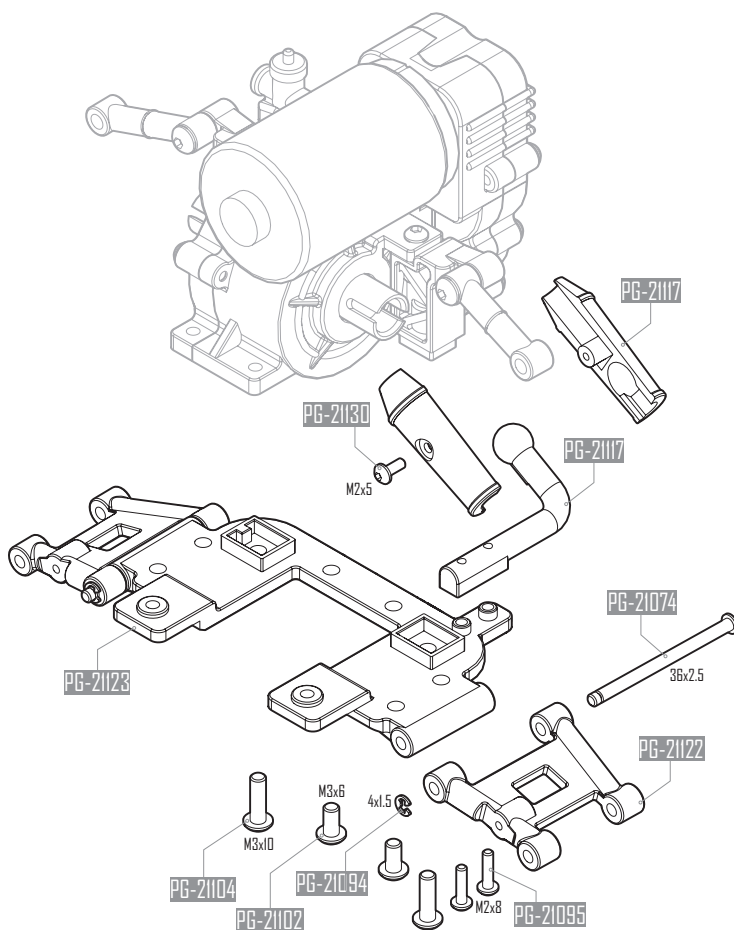
GEAR BOX SET 齒輪箱組





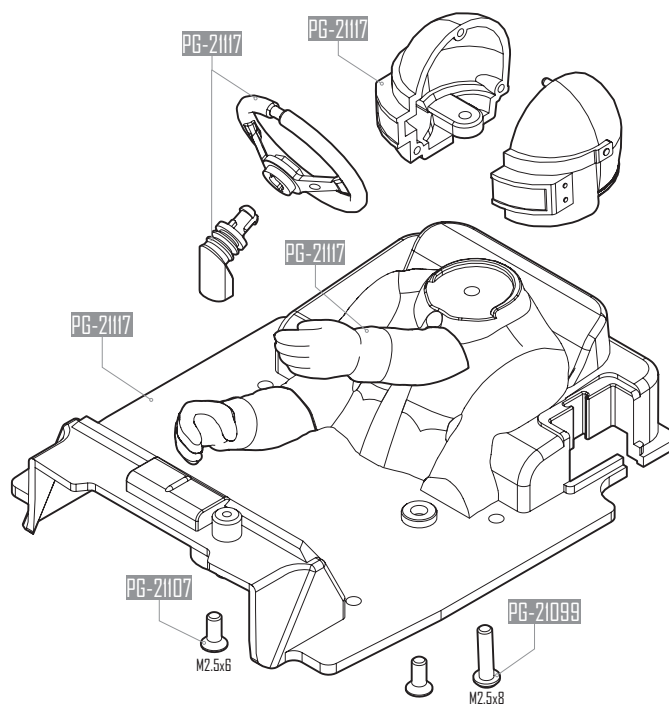
STEP 4

REAR SUSPENSION 後擺臂



STEP 5

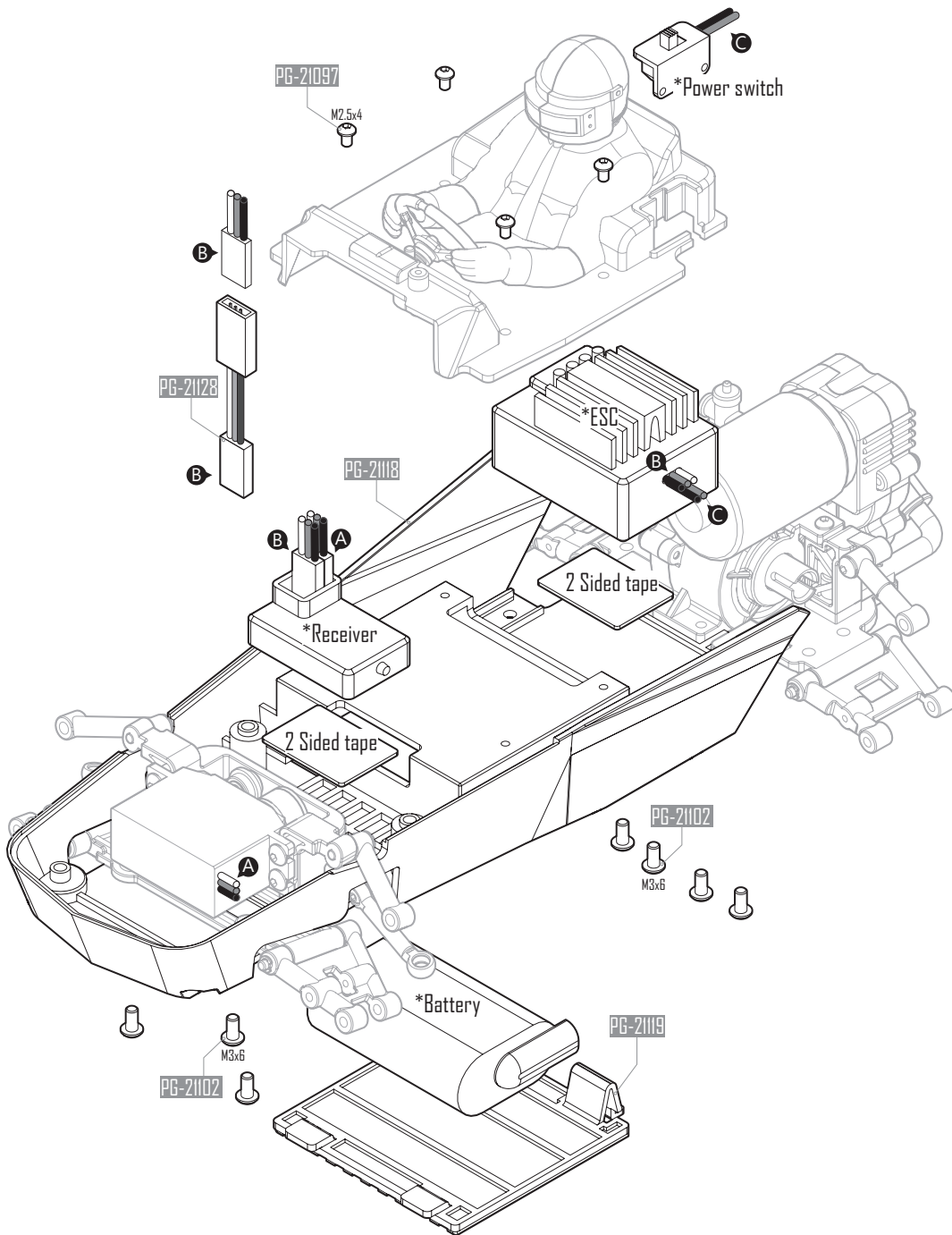
DRIVER INTERIOR DETAIL 駕駛內裝組





STEP 6

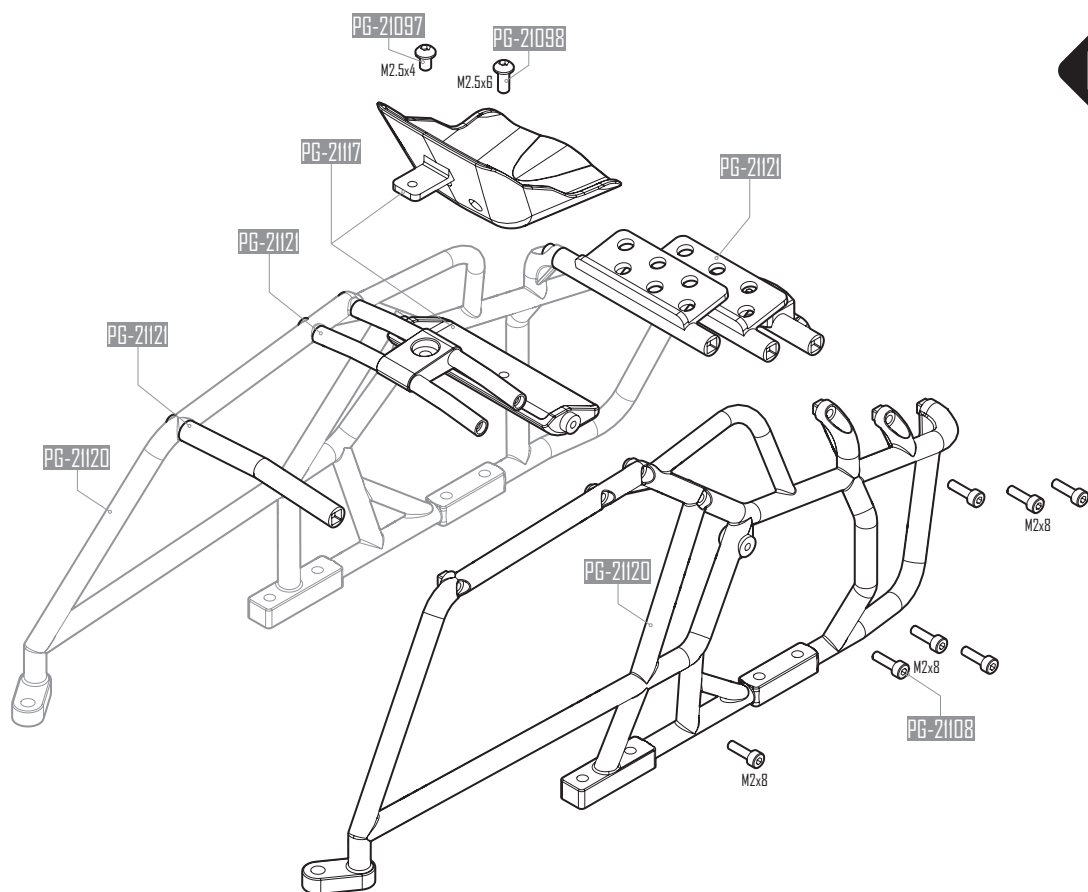
CHASSIS ASSEMBLY 底盤組裝





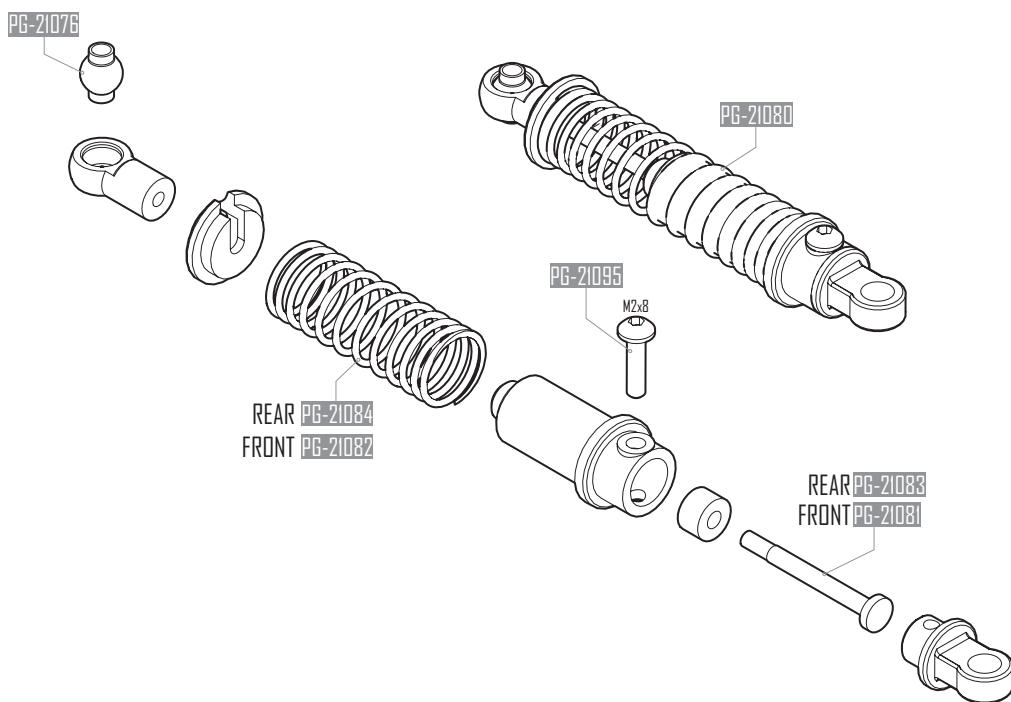
STEP 7

ROLL CAGE ASSEMBLY 防滾籠組裝



STEP 8

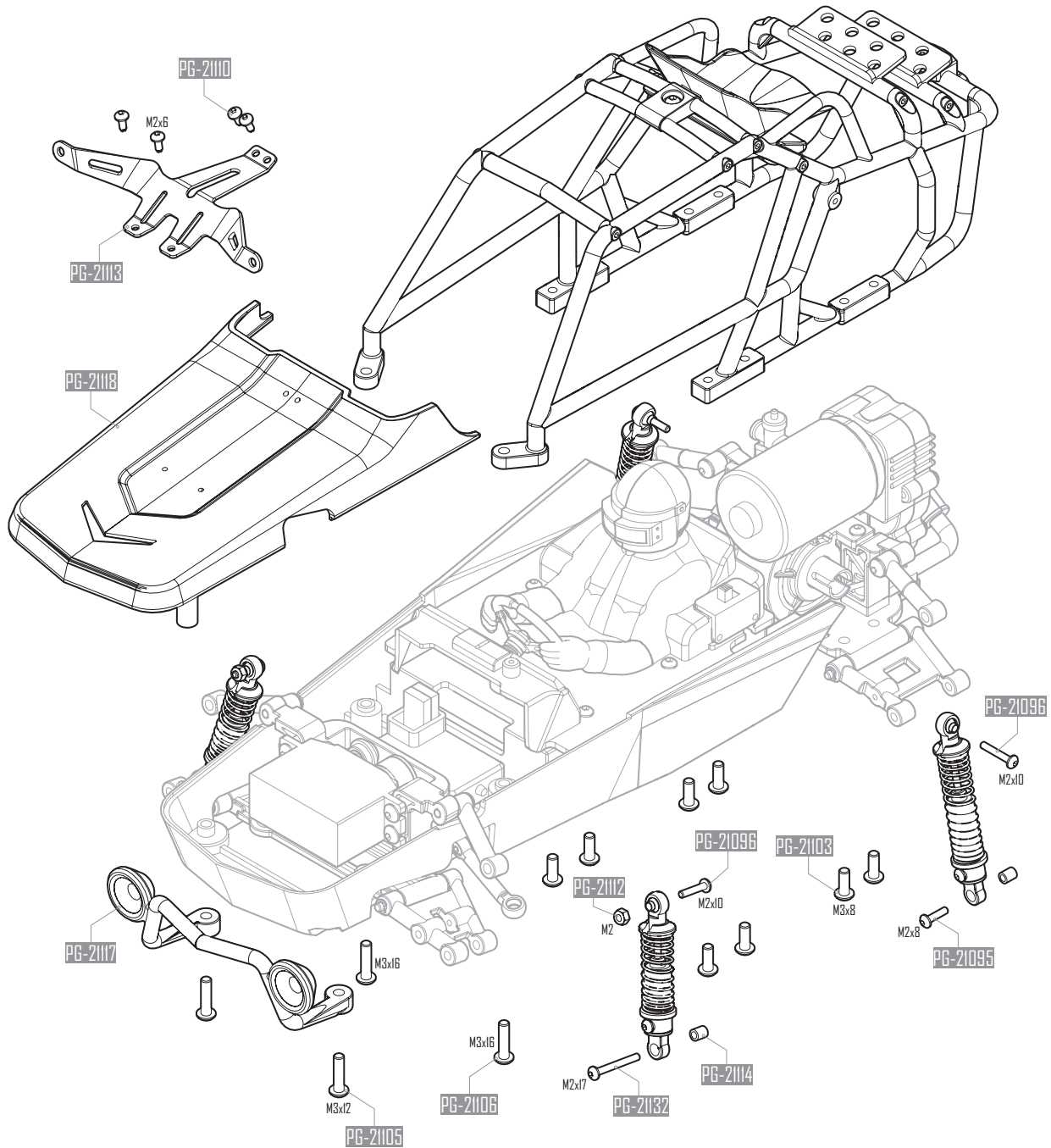
SHOCK ABSORBER GROUP 避震器組





STEP 9

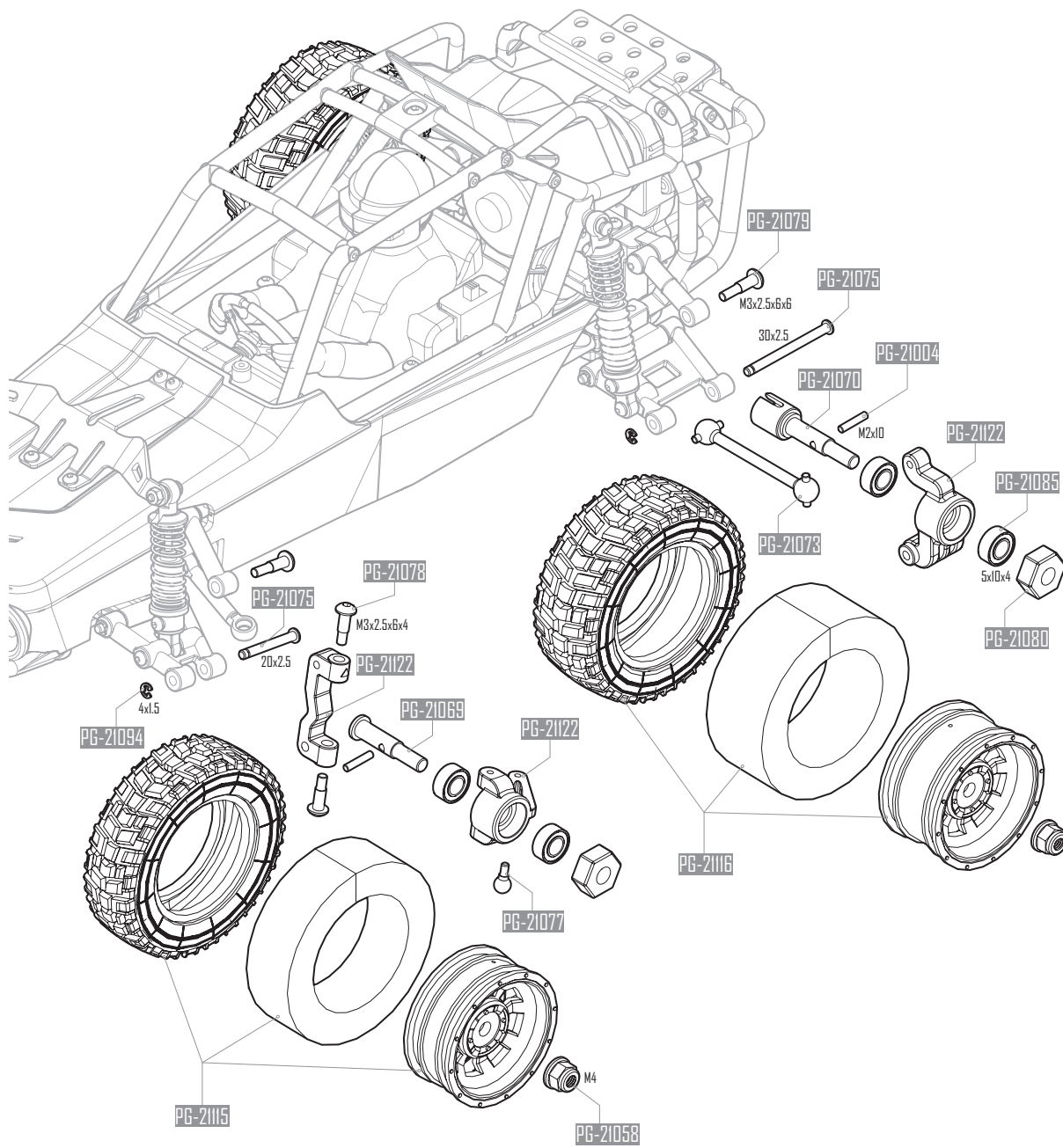
BODY ASSEMBLY 車殼組裝





STEP 10

TIRES AND WHEELS 輪胎與輪框組





WHEEL AND TIRE PREPARATION 輪框與輪胎拆卸



Remove wheel lock nut using the Xwrench and detach wheels.
使用內附之六角螺帽套筒扳手將輪軸上六角固定螺帽取下。

⚠ Make Sure The Axle Nuts Are Tight Before Each Run

Before operating your vehicle, take a moment to make sure the axle nuts are tight, as they may have loosened during shipping. The correct size axle-nut wrench is supplied with the truck. Check the tightness of the axle nuts before each run. Please continue to check tightness prior to operating vehicle each time.

⚠ 輪胎鎖附步驟加註注意事項

在操作之前請先確認輪胎之固定六角螺帽是被鎖緊的。如未鎖緊，可使用隨車所附的螺帽套筒扳手將螺帽鎖緊。每趟跑完或是再次出發前請務必檢查固定螺帽是否鬆脫？此車之高轉速與高扭力很可能於每一次的操作時使螺帽漸漸地鬆脫。



BATTERY CHARGING 電池充電指南

Battery Charging Steps and Safety:

Remove the battery from the vehicle before charging.

Place battery on a fire resistant surface.

Avoid any contact with water or other liquids.

從車台上將電池取出後，請將電池擺放在防火墊上，並且避免接觸到任何液體。

ALWAYS use a compatible charger for charging your batteries.

充電時請選擇適當的USB變壓器。

⚠ Never leave the battery unattended while charging. Always disconnect the charger from the power source when finished charging.

充電時如中途離開，請務必拔除充電線。

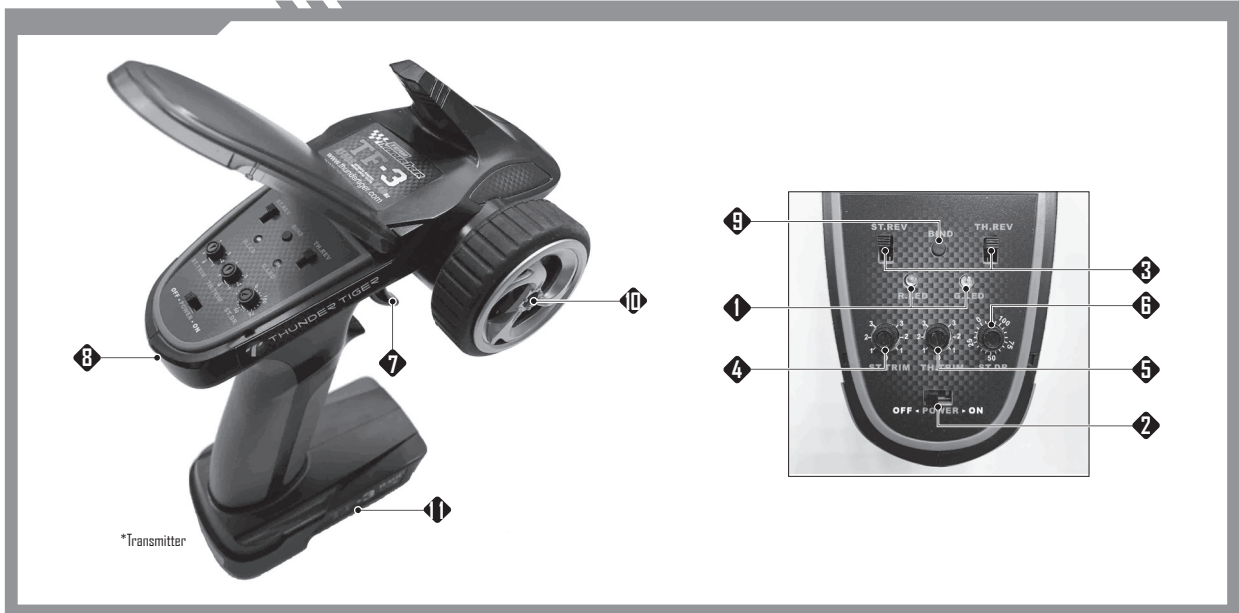
⚠ Always disconnect the battery when you are finished driving the vehicle.

在不遊玩車台的情況下，請拔除電池的電源線。





TRANSMITTER 2.4GHz SYSTEM 2.4GHz 2. 4GHz遙控器說明



TRANSMITTER CONTROLS 發射機各部功能簡介

- 1** Battery Level Indicator
發射機電源顯示燈

Green / Red LEDs indicate the battery voltage. If the Red LED flashes, please replace the batteries.
兩顆LED設計顯示發射機電池殘量，若紅色LED燈閃爍時，請更換發射機電池。
- 2** Power Switch
電源開關

Slide to turn the transmitter on or off.
發射機電源開關。
- 3** Servo reversing switches
正逆轉設定裝置

To reverse the servo's rotation direction at the flip of the switch.
The reversing switches are recessed into the transmitter to prevent accidental operation.
依實際使用，控制伺服機作動方向。
- 4** Steering Trim
轉向微調鈕

Adjusts the steering in small increments or decrements to run the model straight.
利用此旋鈕，調整設定轉向正確中立點位置。
- 5** Throttle Trim
油門微調鈕

Adjusts the throttle in small increments or decrements to shift the neutral position.
利用此旋鈕，調整設定油門正確中立點位置。
- 6** Steering D/R (Dual Rates)
轉向大小動調整鈕

Turn this knob left or right to adjust the amount of the steering dual rate.
Right to increase dual rate amount and left to decrease the amount.
調整轉向伺服機的行程量。
- 7** Throttle Trigger
油門控制板機

Pull or push to control the movement of the model.
控制車輛前進或後退的裝置。
- 8** External Charging Jack
充電孔

For rechargeable NiCd/NiHM battery pack on the transmitter only.
使用充電式電池時，可利用此充電孔，進行充電工作。
- 9** 2.4GHz Binding
校頻配對設定鈕

The Binding button is located on the top of the 2.4GHz transmitter.
2.4Hz 之 BINDING SW 校頻配對設定鈕，為配對發射接收頻率之用。
- 10** Steering Wheel
轉向舵輪

Control the steering of the model.
控制車輛轉向裝置。
- 11** Battery Cover
電池蓋

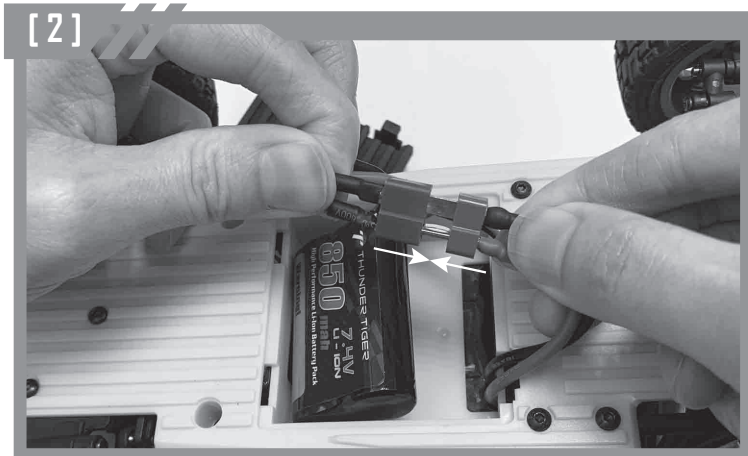
Slide cover to install or remove batteries.
推移電池護蓋即可取出電池進行更換。



BATTERY INSTALLATION 電池安裝



[1]
Install 4pcs alkaline or rechargeable AA-size batteries into transmitter.
安裝 4 顆三號鹼性電池或充電電池於發射機內。



[2]
Connect battery cable with (ESC) Electronic Speed Controller cable.
將電池線連接速控器電源線。

⚠ Disconnect Batteries After Use

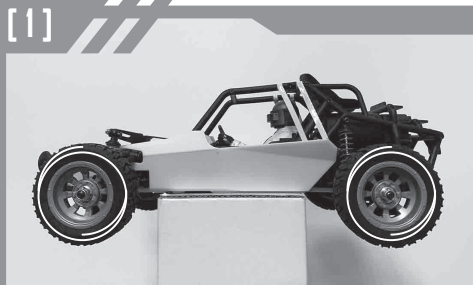
Always disconnect the batteries from the Speed Controller when you are finished using your vehicle. The switch on the Speed Controller only shuts off power to the receiver and servos. The Speed Controller continues to draw power as long as it is plugged in and may overdischarge your batteries if they are left connected to the Speed Controller.

⚠ 操作完畢注意事項

請務必於每次操作完畢後解除電子速控器與電池的連結狀態。電子速控器電源開關僅只關掉接收機與伺服機的電源供應。電池內部電流消耗會因為電源線未拔離而持續且可能會因此而過度放電而導致無法預期的危險。

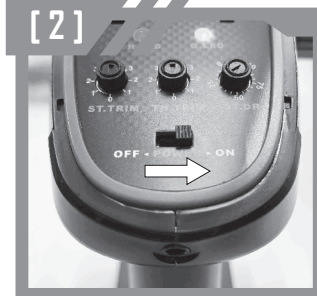


RADIO OPERATION 遙控器操作



⚠ WARNING: The electronic system is powerful. For safety, please always keep the wheels away from the ground when you are preparing to switch on the car.

⚠ 注意：本系統功率十分強勁！基於安全因素，建議請在車輪懸空的裝態下開啟系統電源，避免非預期性的暴衝。



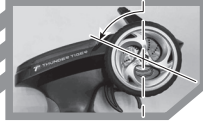
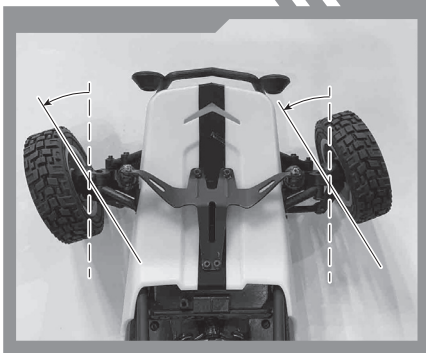
[2]
When turning radio system on. Turn the transmitter on first, then turn on the ESC.
為避免車子失控暴衝，先開啟發射機電源。



[3]
When turning the radio system off. Turn the ESC off first, then turn off the transmitter.
接著開啟速控器電源。電源的關閉則是相反的順序，先關速控器電源，再關發射機電源。



OPERATING RADIO STEERING FUNCTION 遙控器轉向設定



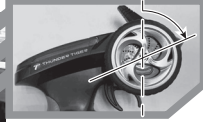
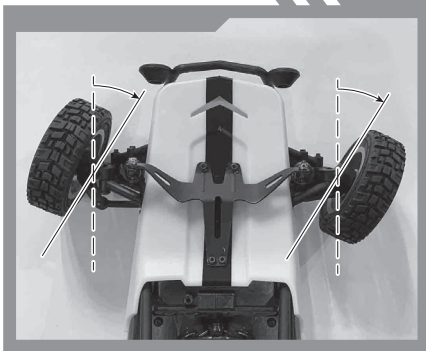
Check the radio steering functions. With the radio transmitter and receiver on, turn the steering wheel to the left. The front tires /wheels should turn left accordingly. If not, flip the steering servo reverse switch.

確認轉向功能。打開發射機及接收機電源，方向轉左邊時，輪胎將朝向左邊，若方向不一致，請調整方向的正逆轉開關。



Return the steering wheel to neutral. The front tires/wheels should point straight forward. If not, use the steering trim lever to correct it.

方向回中立點時，前輪應筆直向前，若有偏差，請調整方向微調旋鈕。

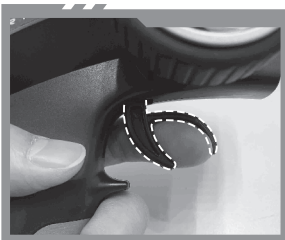


Turn the steering wheel to the right. The front tires/ wheels should turn right accordingly.

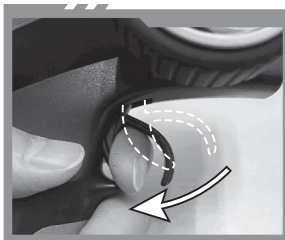
方向轉向右邊時，前輪應轉向右邊。



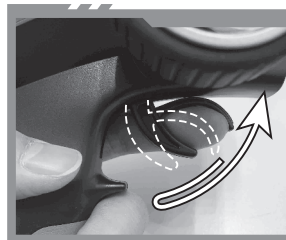
DRIVING BASIC 操控基本動作



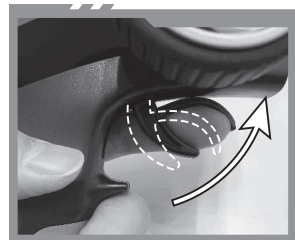
Stop (Neutral)
停 (中立點)



Acceleration
加速



Brake
煞車



Reverse
後退



PART#	DESCRIPTION 品名	PART#	DESCRIPTION 品名
PG-21003	SPUR GEAR SHAFT PIN >>> 中差齒固定軸 PIN 2X7.8	PG-21075	PUBG BUGGY KNUCKLE PIN F/R (2PCS ea.) >>> PUBG BUGGY 輪座插銷
PG-21004	WHEEL NUT PIN >>> 輪胎轉接座 PIN	PG-21076	PUBG BUGGY SHOCK BALLEN SET (4PCS) >>> PUBG BUGGY 避震器球頭
PG-21023	DIFF BEVEL GEAR 39T >>> 大齒輪 39T	PG-21077	PUBG BUGGY STEERING BALL END (4PCS) >>> PUBG BUGGY 轉向拉桿球頭
PG-21024	PINION GEAR 16T >>> 小齒輪 16T	PG-21078	PUBG BUGGY C-HUB SCREW (4PCS) >>> PUBG BUGGY C 座螺絲
PG-21026	GEAR DIFF CASE >>> 差速殼	PG-21079	PUBG BUGGY LINK SCREW (8PCS) >>> PUBG BUGGY 前後拉桿螺絲
PG-21027	DIFFERENTIAL SET >>> 差速組	PG-21080	PUBG BUGGY COMPLETE SHOCKS SET (2PCS ea.) >>> PUBG BUGGY 前後筒身完成組 (各兩隻)
PG-21028	CENTER SPUR GEAR 56T >>> 中差齒 56T	PG-21081	PUBG BUGGY FRONT SHOCK SHAFT (2PCS) >>> PUBG BUGGY 前避震軸心
PG-21036	LION 850mAh BATTERY >>> 850mAh 鋰鐵電池 T 插	PG-21082	PUBG BUGGY FRONT SHOCK SPRING (2PCS) >>> PUBG BUGGY 前避震彈簧 - 紅色
PG-21037	BRUSHED WATERPROOF ESC >>> 防水電子變速器	PG-21083	PUBG BUGGY REAR SHOCK SHAFT (2PCS) >>> PUBG BUGGY 後避震軸心
PG-21039	2.4G RADIO SET >>> 遙控器 + 防水接收機	PG-21084	PUBG BUGGY REAR SHOCK SPRING (2PCS) >>> PUBG BUGGY 後避震彈簧 - 紅色
PG-21041	CENTER DIFF GEAR >>> 中差減速齒	PG-21085	BALL BEARING 5X10X4 (4PCS) >>> 5x10x4 防塵軸承
PG-21042	BEARING 3x6x2.5 >>> 軸承 3x6x2.5	PG-21086	BALL BEARING 5X11X4 (4PCS) >>> 5x11x4 防塵軸承
PG-21058	M4 LOCK NUT >>> M4 尼帽	PG-21087	BALL BEARING 10X15X4 (4PCS) >>> 10x15x4 防塵軸承
PG-21059	USB CHARGER 7.4V(OP500mAh) >>> USB 充電線 7.4V(輸出 500mAh)	PG-21088	18T PINION GEAR (1PC) >>> 18T 馬達齒
PG-21069	PUBG BUGGY FRONT WHEEL AXLE (2PCS) >>> PUBG BUGGY 前輪軸	PG-21089	14T GEAR (2PCS) >>> 14T 大傘齒
PG-21070	PUBG BUGGY REAR OUTDRIVE (2PCS) >>> PUBG BUGGY 後接杯	PG-21090	SHIM 5x11.5x0.2 (3PCS) >>> 5mm 大傘齒墊片 5x11.5x0.2
PG-21071	PUBG BUGGY DIFF. OUTDRIVE (2PCS) >>> PUBG BUGGY 差速接杯	PG-21091	PUBG BUGGY DIFF. SHIM (1PC) >>> PUBG BUGGY 差速墊片
PG-21072	PUBG BUGGY GEAR SHAFT (2PCS) >>> PUBG BUGGY 大直齒固定軸	PG-21092	O-RINGS 5X7.5X1.5 (5PCS) >>> O 環 5x7.5x1.5(紅色)
PG-21073	PUBG BUGGY REAR DOGBONE (2PCS) >>> PUBG BUGGY 後狗骨 38mm	PG-21093	PIN 3.0x13.8 (4PCS) >>> PIN 3.0x13.8mm
PG-21074	PUBG BUGGY ARMS PIN F/R (2PCS ea.) >>> PUBG BUGGY 擺臂插銷	PG-21094	E-CLIPS 1.5mm & 2.5mm (4PCS ea.) >>> E 扣組 (1.5mm & 2.5mm)



PART#	DESCRIPTION 品名
PG-21095	BUTTON HEAD SCREW M2.0x8 (6PCS) >>> 圓頭內六角螺絲 M2x8
PG-21096	BUTTON HEAD SCREW M2.0x10 (6PCS) >>> 圓頭內六角螺絲 M2x10
PG-21097	BUTTON HEAD SCREW M2.5x4 (6PCS) >>> 圓頭內六角螺絲 M2.5x4
PG-21098	BUTTON HEAD SCREW M2.5x6 (6PCS) >>> 圓頭內六角螺絲 M2.5x6
PG-21099	BUTTON HEAD SCREW M2.5x8 (6PCS) >>> 圓頭內六角螺絲 M2.5x8
PG-21100	BUTTON HEAD SCREW M2.5x10 (6PCS) >>> 圓頭內六角螺絲 M2.5x10
PG-21101	BUTTON HEAD SCREW M2.5x14 (6PCS) >>> 圓頭內六角螺絲 M2.5x14
PG-21102	BUTTON HEAD SCREW M3.0x6 (6PCS) >>> 圓頭內六角螺絲 M3x6
PG-21103	BUTTON HEAD SCREW M3.0x8 (6PCS) >>> 圓頭內六角螺絲 M3x8
PG-21104	BUTTON HEAD SCREW M3.0x10 (6PCS) >>> 圓頭內六角螺絲 M3x10
PG-21105	BUTTON HEAD SCREW M3.0x12 (6PCS) >>> 圓頭內六角螺絲 M3x12
PG-21106	BUTTON HEAD SCREW M3.0x16 (6PCS) >>> 圓頭內六角螺絲 M3x16
PG-21107	FLAT HEAD SCREW M2.5x6 (6PCS) >>> 平頭內六角螺絲 M2.5x6
PG-21108	FLAT HEAD SCREW M2x8 (6PCS) >>> 平頭內六角螺絲 M2x8
PG-21109	FLAT HEAD SCREW M3.0x6 (6PCS) >>> 平頭內六角螺絲 M3x6
PG-21110	CAP HEAD SCREW M2.0x6 (6PCS) >>> 有頭螺絲 M2x6
PG-21111	SET SCREWS M3x3 (4PCS) >>> M3x3 止付
PG-21112	M2 LOCK NUT (6PCS) >>> M2 防鬆螺帽
PG-21113	PUBG BUGGY FRONT SHOCK MOUNT >>> PUBG BUGGY 前避震器固定板
PG-21114	PUBG BUGGY SPACERS (4PCS) >>> PUBG BUGGY 下拉桿頭襯套

PART#	DESCRIPTION 品名
PG-21115	PUBG BUGGY FRONT TIRE COMPLETE SET (2 SETS) >>> PUBG BUGGY 前輪胎完成組 (2 入)
PG-21116	PUBG BUGGY REAR TIRE COMPLETE SET (2 SETS) >>> PUBG BUGGY 後輪胎完成組 (2 入)
PG-21117	PUBG BUGGY DRIVER ACCESSORIES >>> PUBG BUGGY 車殼配件組
PG-21118	PUBG BUGGY CHASSIS SET >>> PUBG BUGGY 底盤組
PG-21119	PUBG BUGGY BATTERY TRAY SET >>> PUBG BUGGY 電池盒組
PG-21120	PUBG BUGGY ROLL CAGE SET (L/R) >>> PUBG BUGGY 防滾架組 (左 / 右)
PG-21121	PUBG BUGGY ROLL CAGE SET (TOP) >>> PUBG BUGGY 防滾架組 (上)
PG-21122	PUBG BUGGY SUSPENSION ARMS SET (F/R) >>> PUBG BUGGY 擺臂拉桿組
PG-21123	PUBG BUGGY ARMS MOUNT SET >>> PUBG BUGGY 擺臂拉桿固定組
PG-21124	PUBG BUGGY GEARBOX SET >>> PUBG BUGGY 齒輪箱組
PG-21125	PUBG BUGGY BRUSHED MOTOR >>> PUBG BUGGY 380 有刷馬達
PG-21126	PUBG BUGGY SERVO >>> PUBG BUGGY 伺服機
PG-21127	PUBG BUGGY SHIM 2x6x0.4 (6pcs) >>> PUBG BUGGY 墊片 (2x6x0.4)
PG-21128	PUBG BUGGY SERVO LEAD EXTENSION >>> PUBG BUGGY 伺服器延長線
PG-21129	PUBG BUGGY BODY DECAL >>> PUBG BUGGY 車殼貼紙
PG-21130	BUTTON HEAD SCREW M2x5 (6PCS) >>> 圓頭內六角螺絲 M2x5
PG-21132	BUTTON HEAD SCREW M2x17 (6PCS) >>> 圓頭內六角螺絲 M2x17
PG-21133	BUTTON HEAD SCREW M2.5x12 (6PCS) >>> 圓頭內六角螺絲 M2.5x12



PUBG BUGGY